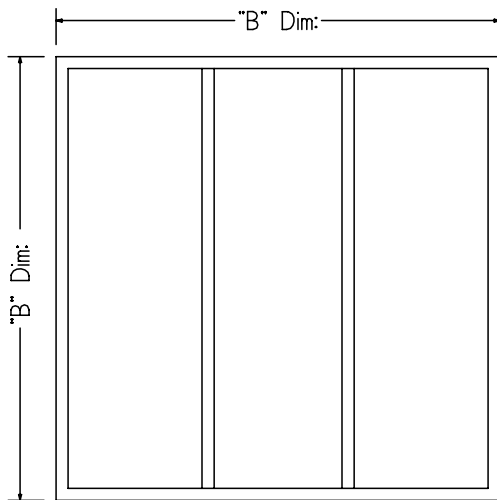
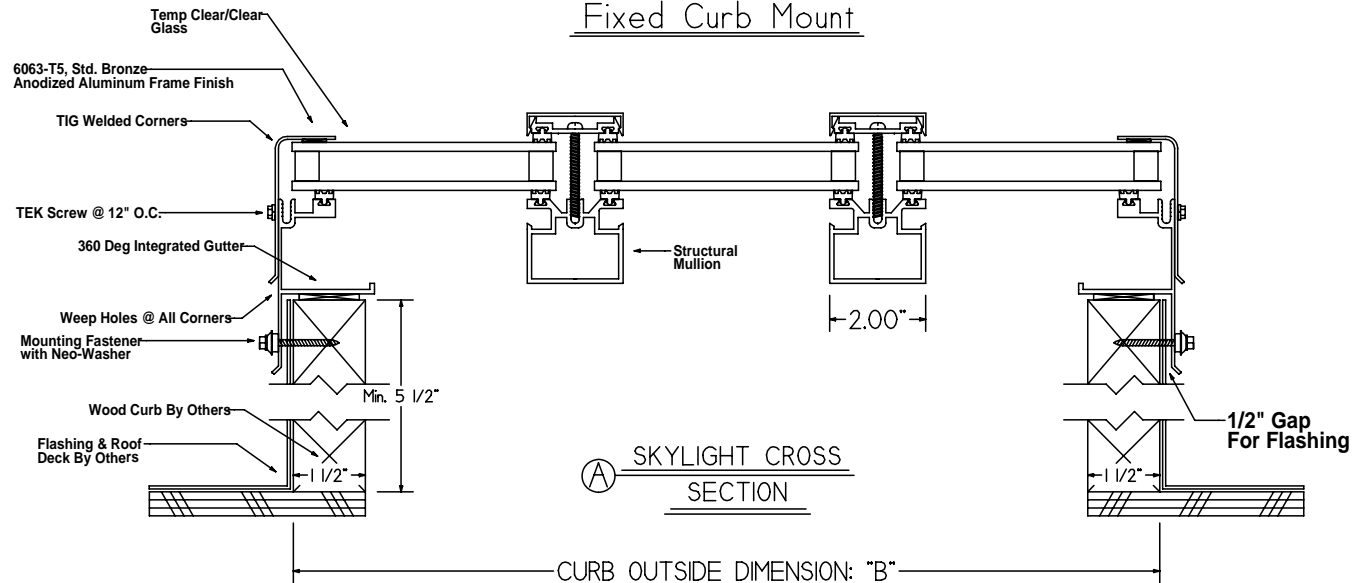




Model DTSC-3500
Fixed Curb Mount



PLAN VIEW



SKYLIGHT CROSS SECTION

TAM SKYLIGHTS 9420 16th Ave SW Seattle, WA 98106 (800) SKY-LITE - FAX (206) 768-0327	
CONTRACTOR:	SHEET
GLAZING: Tempered Clear/Clear	1 OF 1
FINISH: Brnz or Clr Anodized Aluminum	DWG NO.
PROJECT:	
DRAWN BY: Irwin	DATE 00 / 00 / 00
	3500