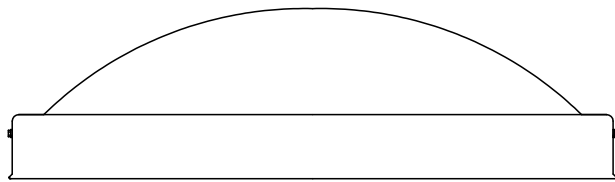
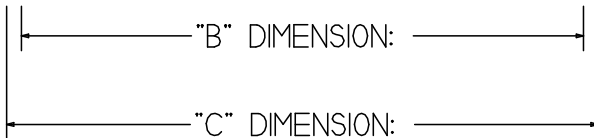
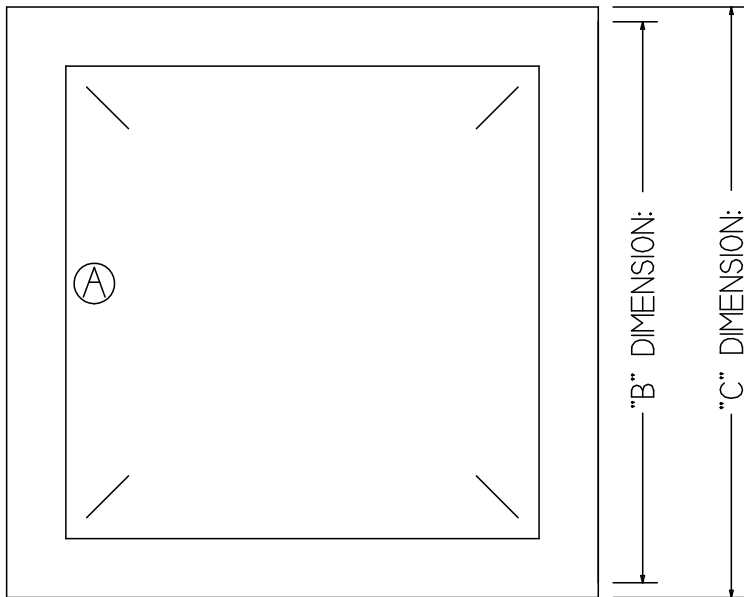
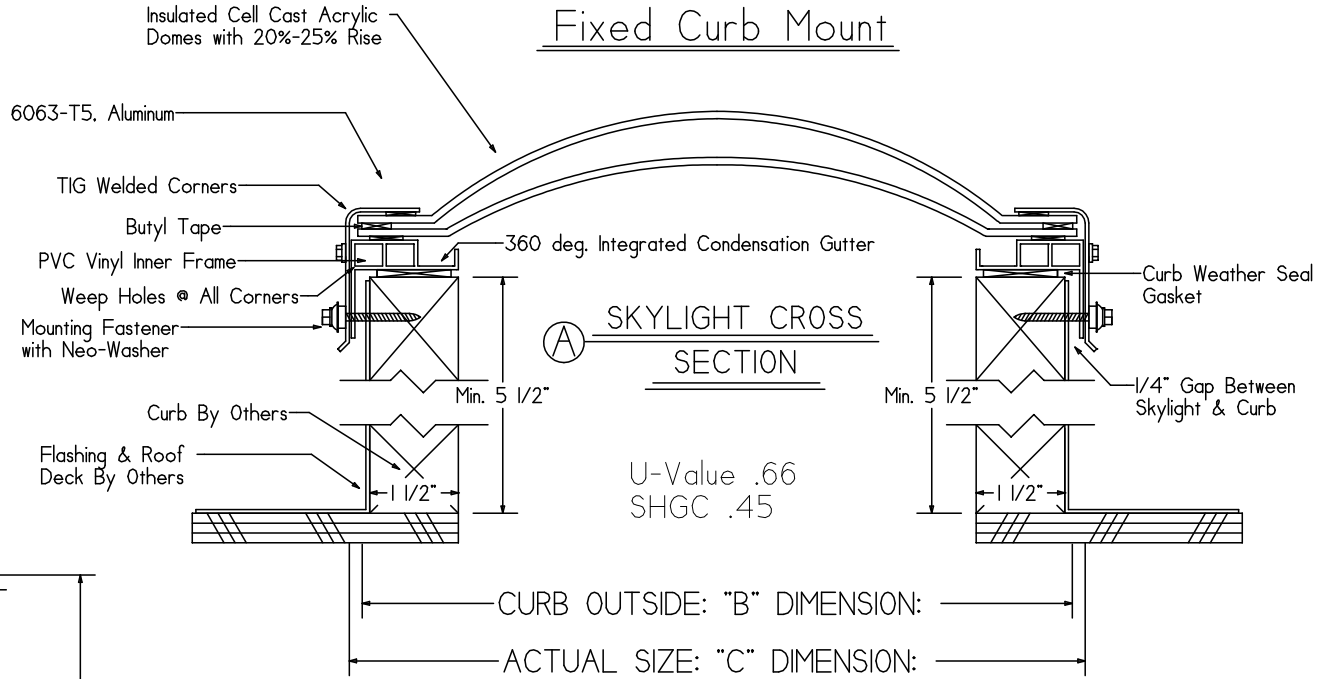




Model DDP  
Fixed Curb Mount



SIDE VIEW



PLAN VIEW

Model No.	"B" Dimension	"C" Dimension

<b>TAM SKYLIGHTS</b> 9420 16th Ave SW Seattle, WA 98106 (800) SKY-LITE - FAX (206) 768-0327		
MODEL: DDP	SHEET   OF	
GLAZING:		
FINISH: Mill Finish	DWG NO. DDP	
JOB NAME:		
DRAWN BY: Irwin	DATE / /	