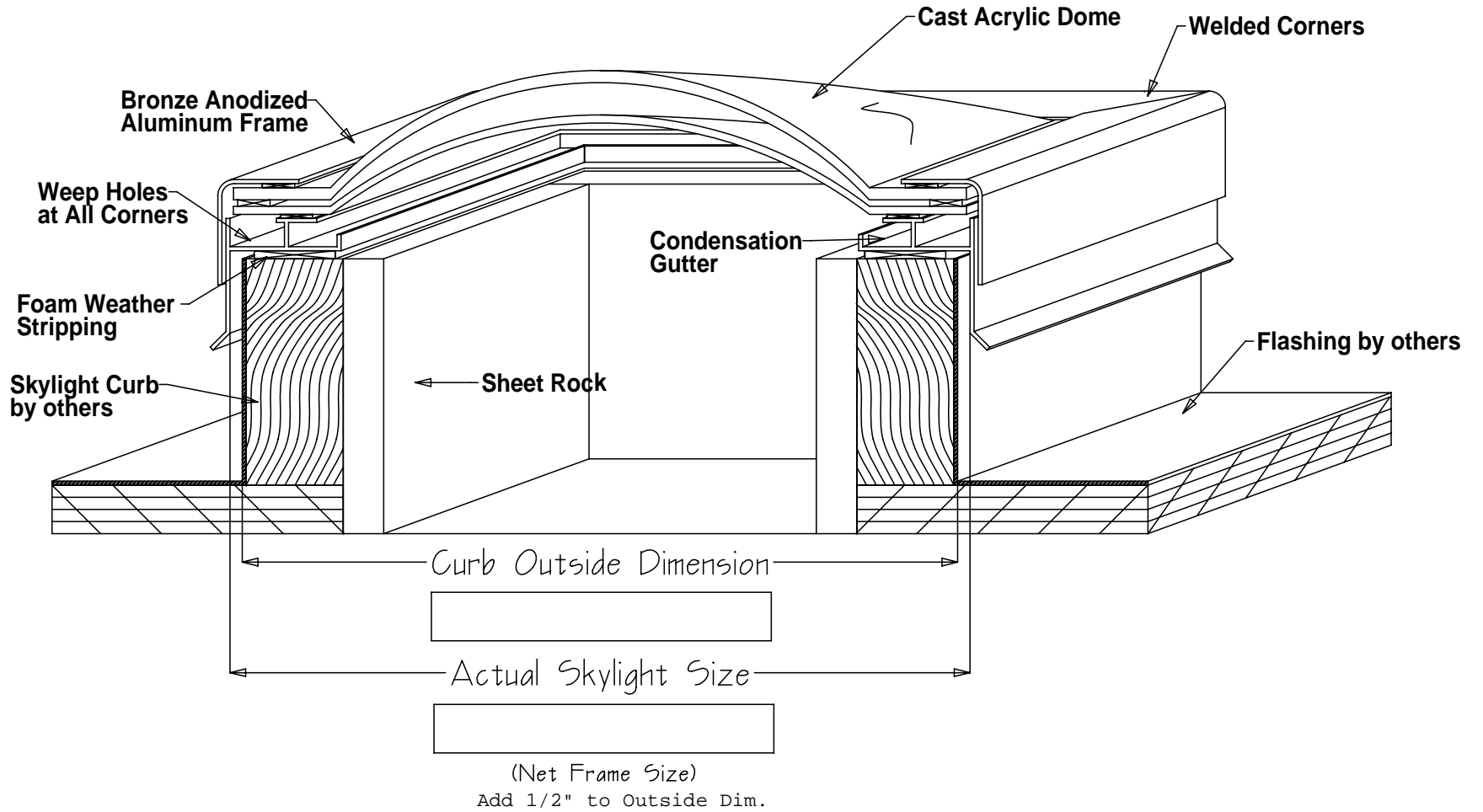




CUT AWAY VIEW OF DOME SKYLIGHT



APPROVAL: _____

DATE: _____