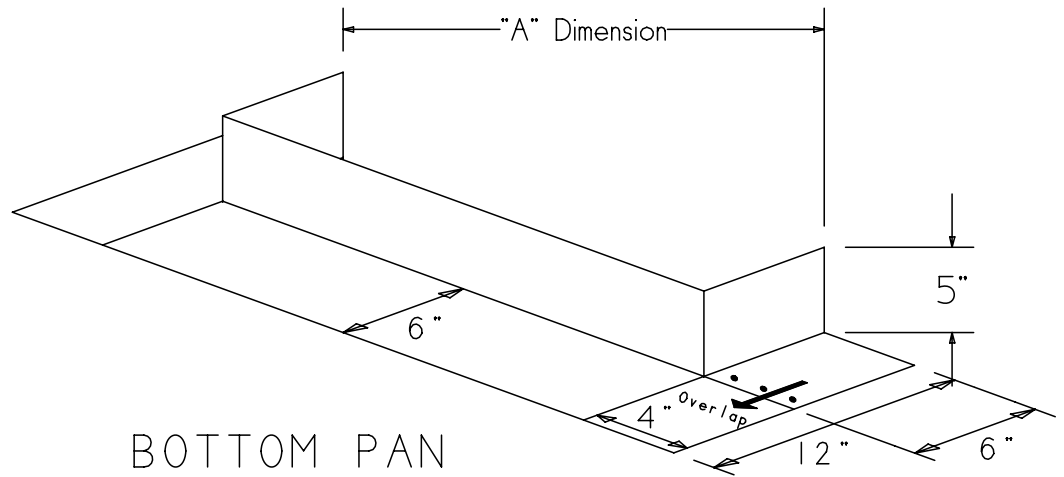


TOP PAN

\*See Overlap Direction\*



BOTTOM PAN

\*See Overlap Direction\*